

16" Wide Solid Oak Executive Lockers – 10000 Series

Installation Instructions

Thank you for selecting Salsbury's 10000 Series 16" Wide Solid Oak Executive Lockers. We are confident that the quality and construction of the lockers will prove to be a good investment. These instructions are intended to assist you in a typical wall-anchored or back-to-back locker installation. Individual job conditions will dictate the type of fasteners and whether the lockers must be anchored to the wall, the floor, or both.

Salsbury's 10000 Series 16" Wide Solid Oak Executive Lockers require minimal assembly. The basic lockers are factory assembled. It may be necessary to install the bases onto the floor, the lockers onto the bases and to each other, the optional side panels to the exposed sides of the lockers, and the lockers to a wall. See the next page for an illustration of three lockers being installed.

Hardware Supplied with Each Locker

1. One metal wall strap with three holes to attach locker to wall or back-to-back. Bend the strap to tie locker to wall as shown in illustration.
2. (4) #8 x 5/8" long pan head sheet metal screws to attach strap to top of lockers back-to-back or between locker and wall.
3. Two 10-24 x 1-1/4" long pan head machine screws to fasten lockers together side-by-side. Mating t-nuts are pre-installed in locker walls. See next page for illustration of three lockers being installed.
4. Two 1-1/4" long wood screws to attach side panel to locker. Side panels may be purchased as an option.
5. One disk number plate.

Installation Instructions

1. Wooden slats are attached to the bottom of the base with finishing nails to support the unit during shipping - remove them by tapping them away from the base with a mallet, then remove any remaining finishing nails.

Bases should be set in place and leveled. The rear edge of the base should touch the wall or the other base if lockers are installed back-to-back. There are 1-wide and 3-wide bases.

2. If the back of the locker is against a wall, bend the metal strap as shown in the illustration. Set the locker on the base spaced 5/8" from the wall for ventilation air. The metal straps will be installed in Step 5 below.

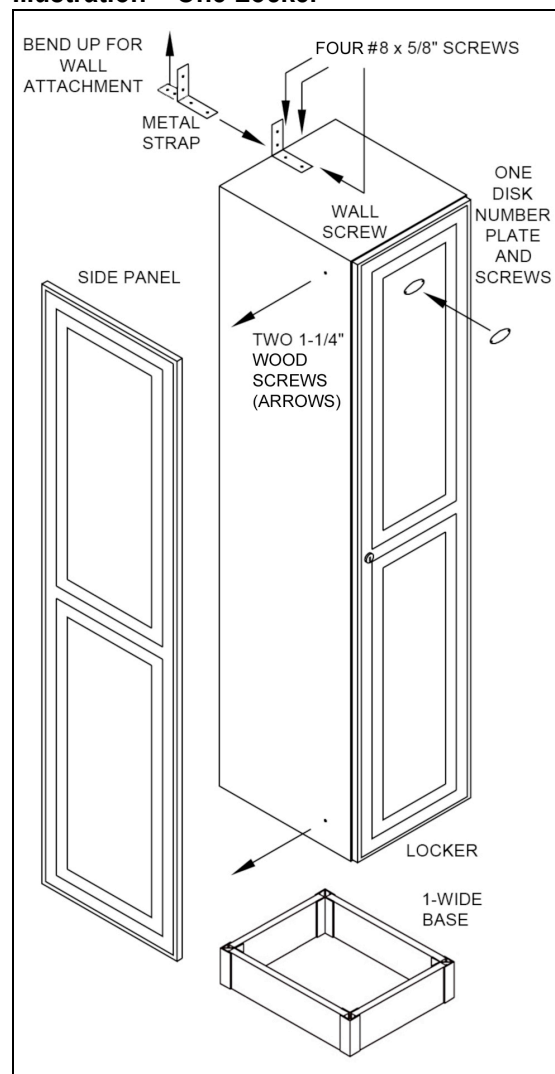
Leave the metal strap flat for fastening lockers back-to-back. Allow a 1-1/4" ventilation space between the backs of lockers if lockers are back-to-back and side panels are being installed. The metal straps will be installed in Step 5 below.

Lockers alongside a wall with padlock type locking must be spaced 5/8" from the side wall to allow swing room for the padlock.

3. Bolt multiple lockers together through the two unused holes and tee nuts near the door hinges.

4. Attach the finished side panels (optional) flush with the front of the locker body (not the door) allowing the excess to cover the 5/8" rear air space.
5. Once the lockers are plumb and level, attach the bent or flat metal straps to the top of the lockers and to the wall or other lockers as required.
6. Peel backing from disk number plate, align, and press into recess.

Illustration – One Locker



SALSBUURY INDUSTRIES

18300 Central Avenue, Carson, CA 90746-4008

Phone: 1-800-562-5377

Int'l Phone: 323-846-6700

Fax: 1-800-562-5399

Int'l Fax: 323-846-6800

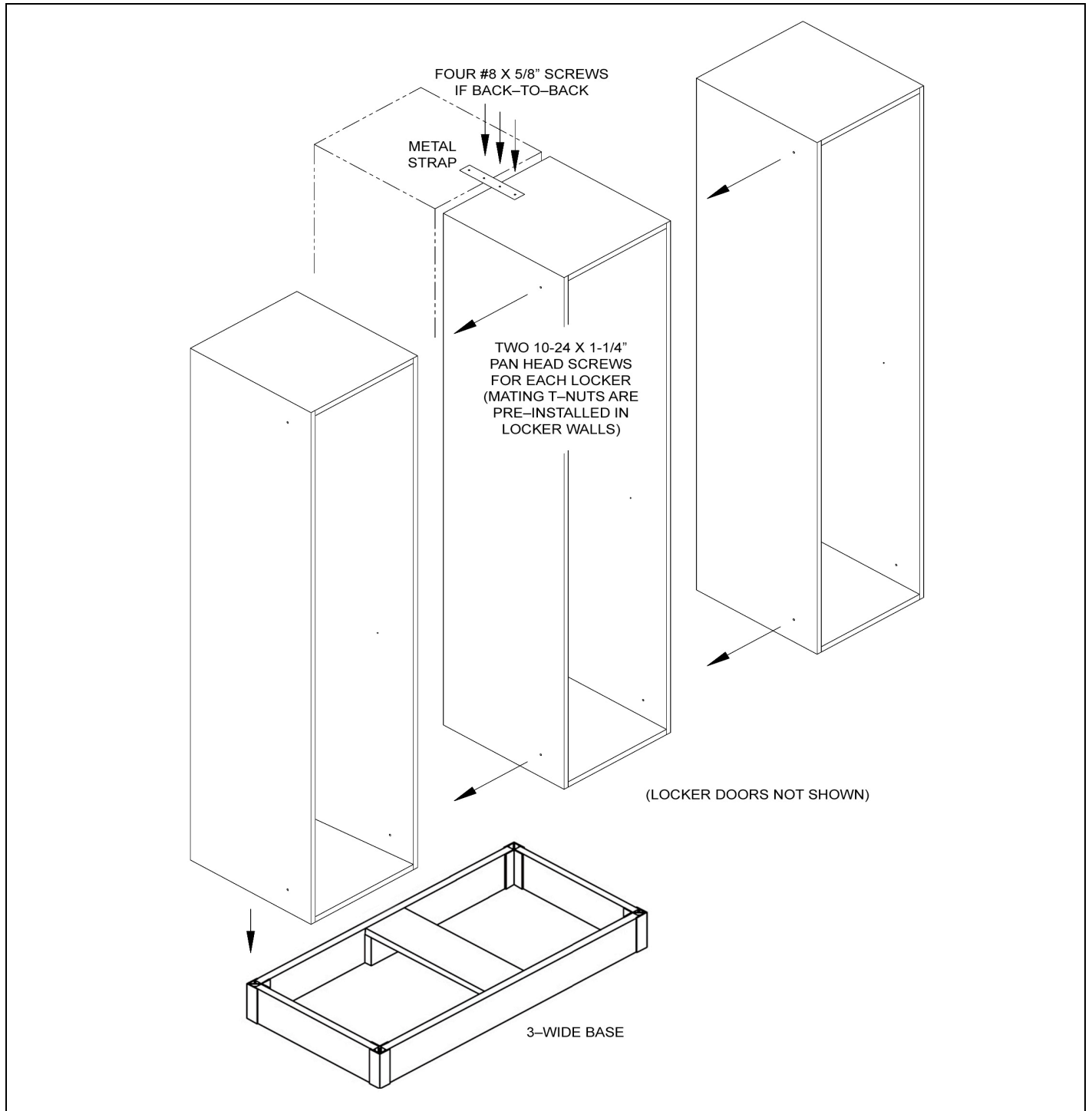
www.lockers.com

engineering@lockers.com

16" Wide Solid Oak Executive Lockers – 10000 Series

Installation Instructions

Illustration – Three Lockers



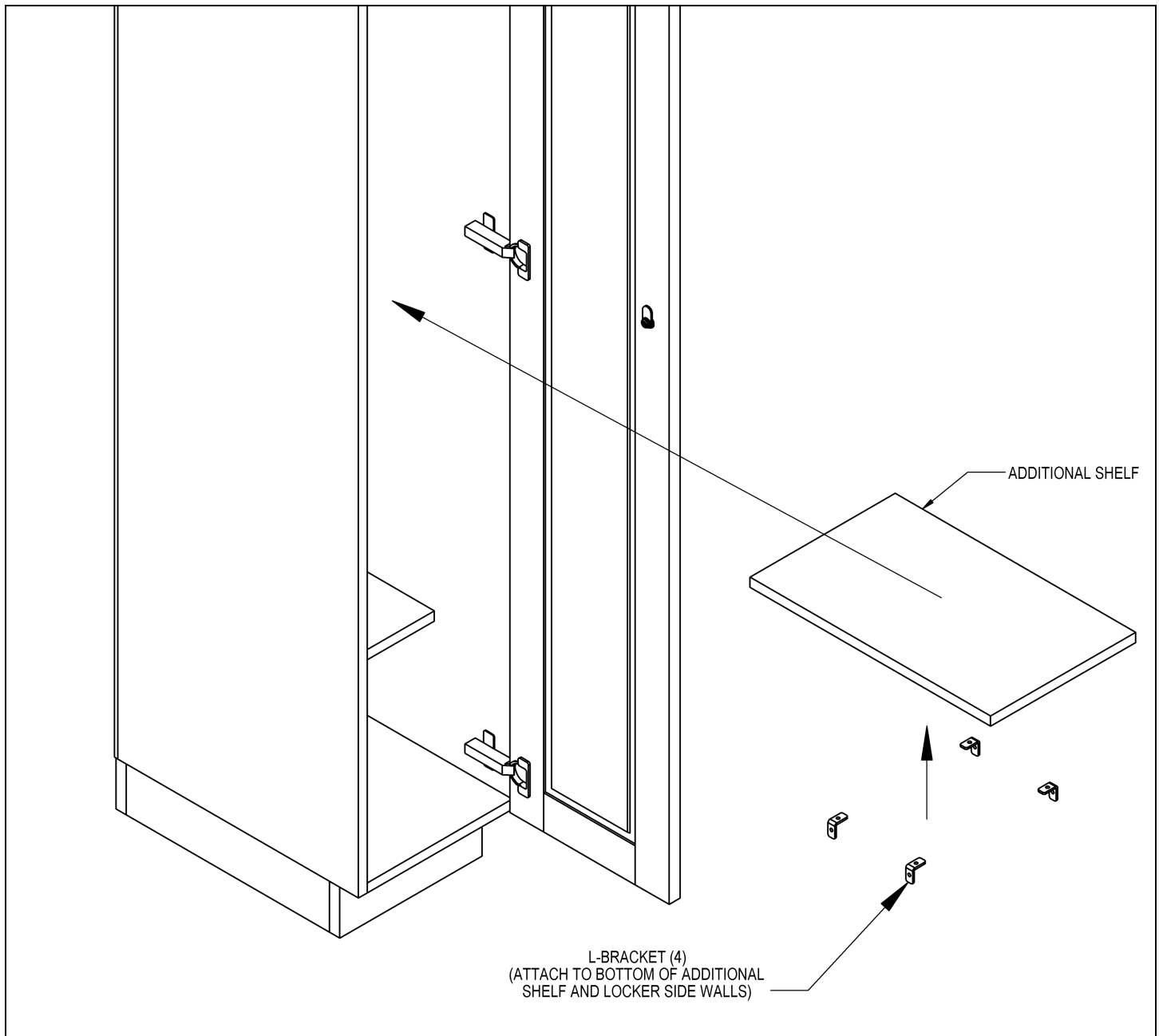
SALSBURY INDUSTRIES

18300 Central Avenue, Carson, CA 90746-4008
Phone: 1-800-562-5377 Int'l Phone: 323-846-6700
Fax: 1-800-562-5399 Int'l Fax: 323-846-6800
www.lockers.com engineering@lockers.com

16" Wide Solid Oak Executive Lockers – 10000 Series

Installation Instructions

Thank you for selecting Salsbury's additional shelf option for solid oak executive lockers. An additional shelf is installed into a locker compartment by attaching two L-brackets to each side wall of the locker and to the bottom of the additional shelf. #10 x 3/4" long screws are provided for the installation.



SALSBUURY INDUSTRIES

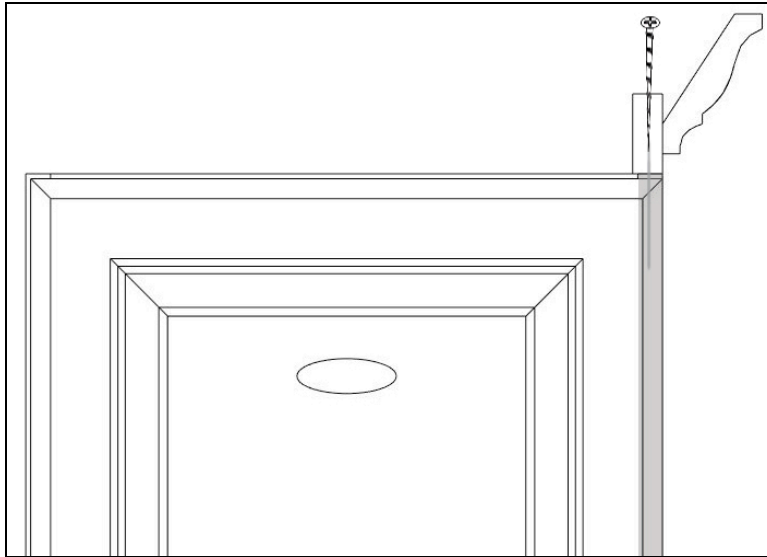
18300 Central Avenue, Carson, CA 90746-4008
Phone: 1-800-562-5377 Int'l Phone: 323-846-6700
Fax: 1-800-562-5399 Int'l Fax: 323-846-6800
www.lockers.com engineering@lockers.com

16" Wide Solid Oak Executive Lockers – 10000 Series

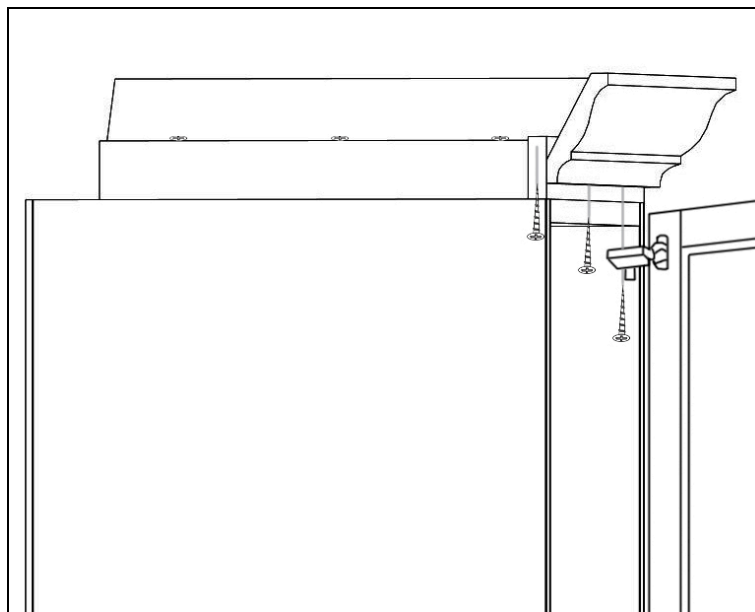
Installation Instructions

Thank you for selecting Salsbury's crown molding option for solid oak executive lockers. These instructions are intended to assist you in a typical crown molding installation. Individual job conditions will dictate how crown molding pieces will need to be sized, cut and installed.

When installing crown molding placed on the sides of the locker, use three to four screws to attach the molding to the locker's side wall, see below.



When installing crown molding placed at the front of the locker, open the door and use three to four screws to attach the molding to the locker from the underside of the top of the locker and into the crown molding as shown below.



SALSBURY INDUSTRIES

18300 Central Avenue, Carson, CA 90746-4008

Phone: 1-800-562-5377

Int'l Phone: 323-846-6700

Fax: 1-800-562-5399

Int'l Fax: 323-846-6800

www.lockers.com

engineering@lockers.com