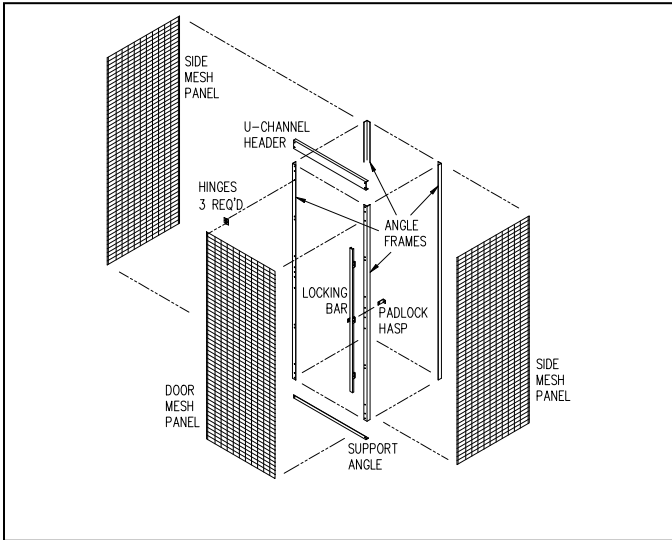


# Storage Lockers – 8100 Series

## Single Tier Installation Instructions

Thank you for selecting Salsbury's single tier storage lockers. We are confident that the quality and construction of the lockers will prove to be a good investment. These instructions are intended to assist you in a single tier storage locker or a single tier storage locker with add-on units. Individual job conditions will dictate the type of fasteners and whether the lockers must be anchored to the wall, the floor, or both.

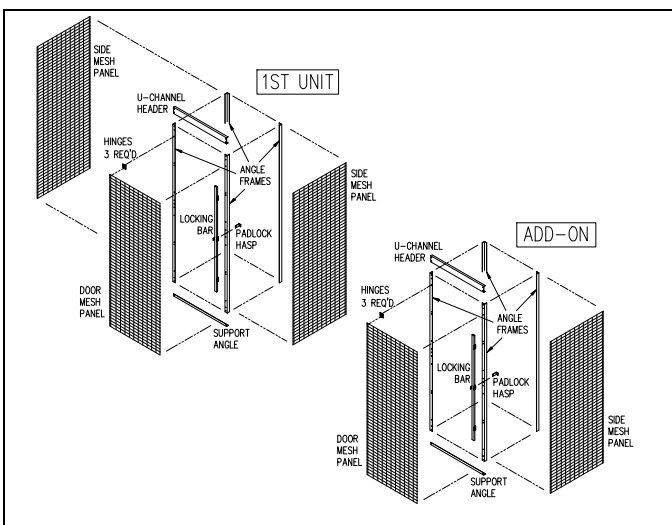
### Typical Assembly – Single Tier Starter



### Instructions – Single Tier Starter

1. Set (2) two holed angle frames in vertical position as your left front and right front frame. Attach u-channel header on corners inside of (2) two front angle frames. Attach bolts, washers and nuts on both corners and tighten.
2. Attach support angle bar to the bottom left and right corners inside of front frames. Bolt and nut together and tighten.
3. Set slotted angle frame as the left rear frame and left side mesh panel in vertical position, in line with left front frame. Attach mesh panel to the inside top and bottom of each corner. Bolt and nut the rest of the mesh panel and angle frame. Repeat for the right side. Tighten bolts and nuts.
4. Attach (3) three hinges inside front left angle frame, bolt and nut together and tighten. In upright position, set the left side of mesh door panel to the other side of hinges. Bolt and nut together and tighten. Attach padlock hasp and hinged anti-pry locking bar to right front angle frame (set angle frame between padlock hasp & locking bar). Bolt and nut together and tighten.

### Typical Assembly – Single Tier Add-On



### Instructions – Single Tier with Add-On

1. Set (2) two holed angle frames in vertical position as your left front and right front frame. Attach u-channel header on corners inside of (2) two front angle frames. Attach bolts, washers and nuts on both corners and tighten.
2. Attach support angle bar to the bottom left and right corners inside of front frames. Bolt and nut together and tighten.
3. Set slotted angle frame as the left rear frame and left side mesh panel in vertical position, in line with left front frame. Attach mesh panel to the inside of angle frames. Bolt and nut together and tighten. Attach 1 round hole angle frame back-to-back to front right angle frame as the center front frame and set center mesh panel parallel to left mesh panel. Bolt and nut the mesh panel to the inside of the front angle frame. Set 1 round hole angle frame in vertical position as the right front angle and attach u-channel header to the inside of top front center angle and top front right angle. Attach support angle bar to the bottom front center angle and bottom front right angle. Set 1 slotted angle frame as the right rear frame and right side mesh panel in vertical position, in line with right front frame. Attach mesh panel to the inside of the angle frames. Tighten bolts and nuts. **Continue with STEP 4 (above) for both left and right units.**

### Notes

All bolted connections should be finger tight initially. Square locker before tightening all connections.

Adjust all doors to operate freely if required.

### SALSBUURY INDUSTRIES

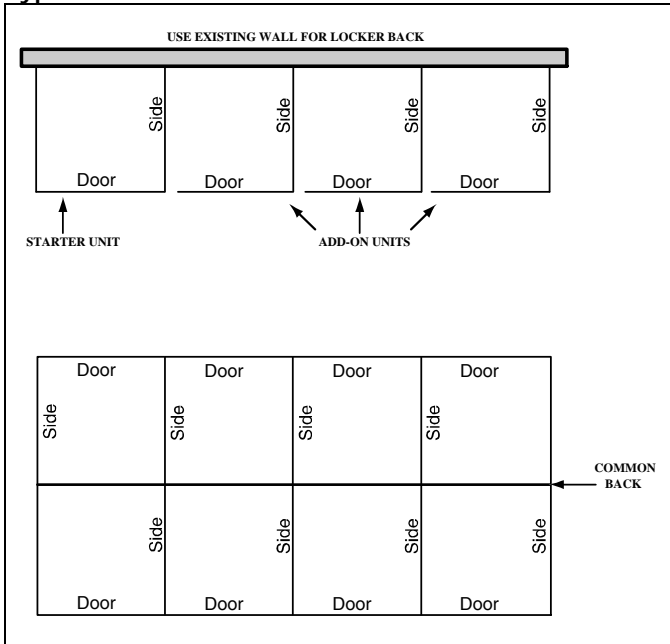
1010 East 62<sup>nd</sup> Street, Los Angeles, CA 90001-1598  
 Phone: 1-800-562-5377 Int'l Phone: 323-846-6700  
 Fax: 1-800-562-5399 Int'l Fax: 323-846-6800  
 www.lockers.com engineering@lockers.com

Installation instructions are provided as general guidelines. It is advised that a professional installer be consulted. Salsbury Industries assumes no product assembly or installation liability. Copyright © 2009 Salsbury Industries. All rights reserved. (Rev. 02, 4/8/2009)

# Storage Lockers – 8100 and 8200 Series Installation Instructions

Thank you for selecting Salsbury's storage lockers. We are confident that the quality and construction of the lockers will prove to be a good investment. These instructions are intended to assist you in a single or double tier storage locker installation. Individual job conditions will dictate the type of fasteners and whether the lockers must be anchored to the wall, the floor, or both.

## Typical Installations – Starter Unit and Add-On



## Notes

All bolted connections should be finger tight initially. Square locker before tightening all connections.

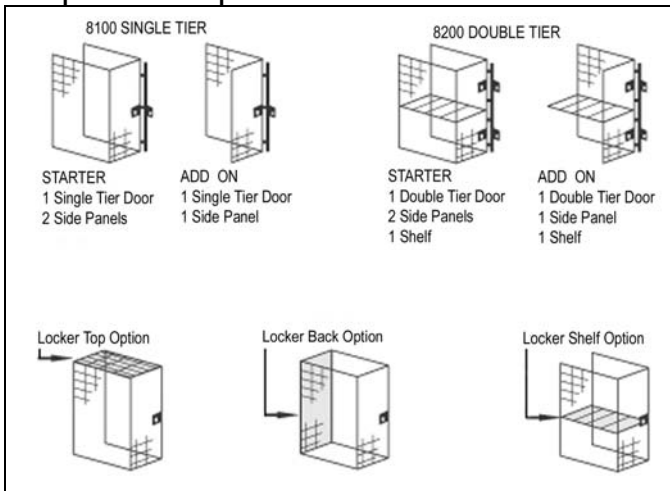
Adjust all doors to operate freely if required.

## Installation Instructions

Begin with a starter unit and then simply attach add-on units, tops, backs and shelves as needed. Combine single and double tier units to form any grouping.

Refer to the individual instruction sheet for assembly of Single Tier Storage Lockers or Double Tier Storage Lockers, including add-on units.

## Components & Options



## SALSBURY INDUSTRIES

1010 East 62<sup>nd</sup> Street, Los Angeles, CA 90001-1598  
 Phone: 1-800-562-5377 Int'l Phone: 323-846-6700  
 Fax: 1-800-562-5399 Int'l Fax: 323-846-6800  
 www.lockers.com engineering@lockers.com