

# Storage Cabinets – 9000 Series Assembly Instructions

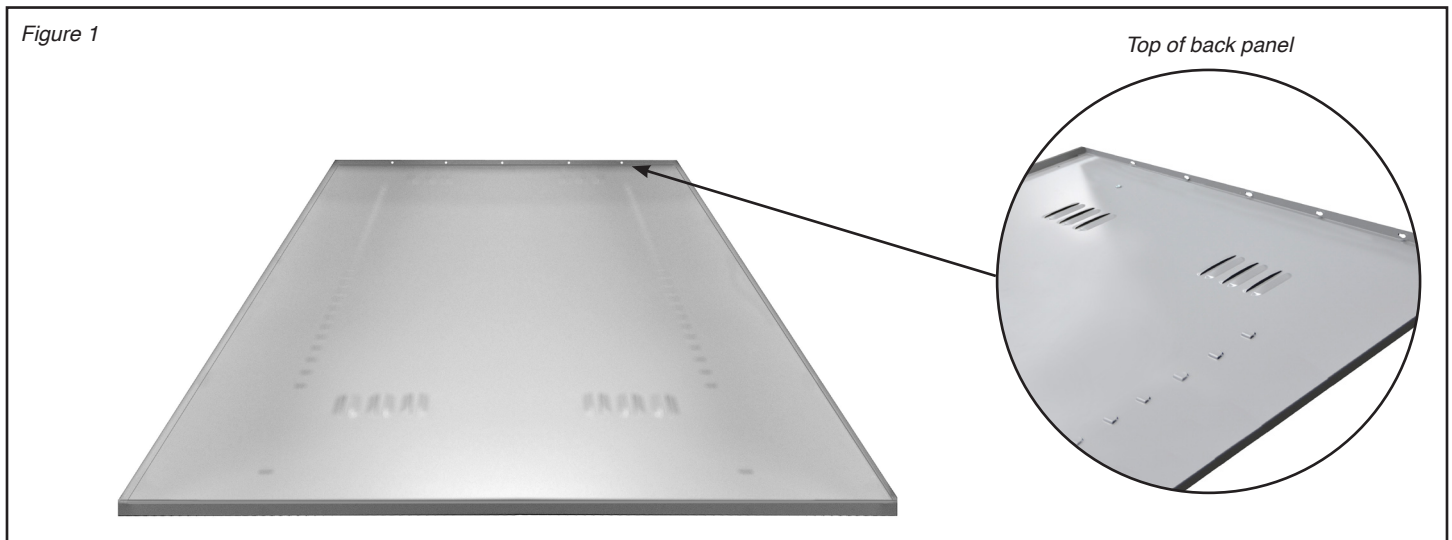
Thank you for selecting Salsbury's storage cabinets. We are confident that the quality and construction of the cabinets will prove to be a good investment. These instructions are intended to assist you in the assembly of standard models. Individual job conditions will dictate whether the storage cabinets must be anchored to the wall, the floor, or both and the type of fasteners that are to be used to do so.

## General Notes

1. These instructions represent the assembly of the Salsbury standard 18" deep and 24" deep storage cabinets. Use these instructions as a guide when assembling the combination, wardrobe and counter height models. Parts and quantities of fasteners will differ slightly between the models.
2. All connections using screws should initially be finger tight. Square the cabinet assembly before firmly tightening all connections.

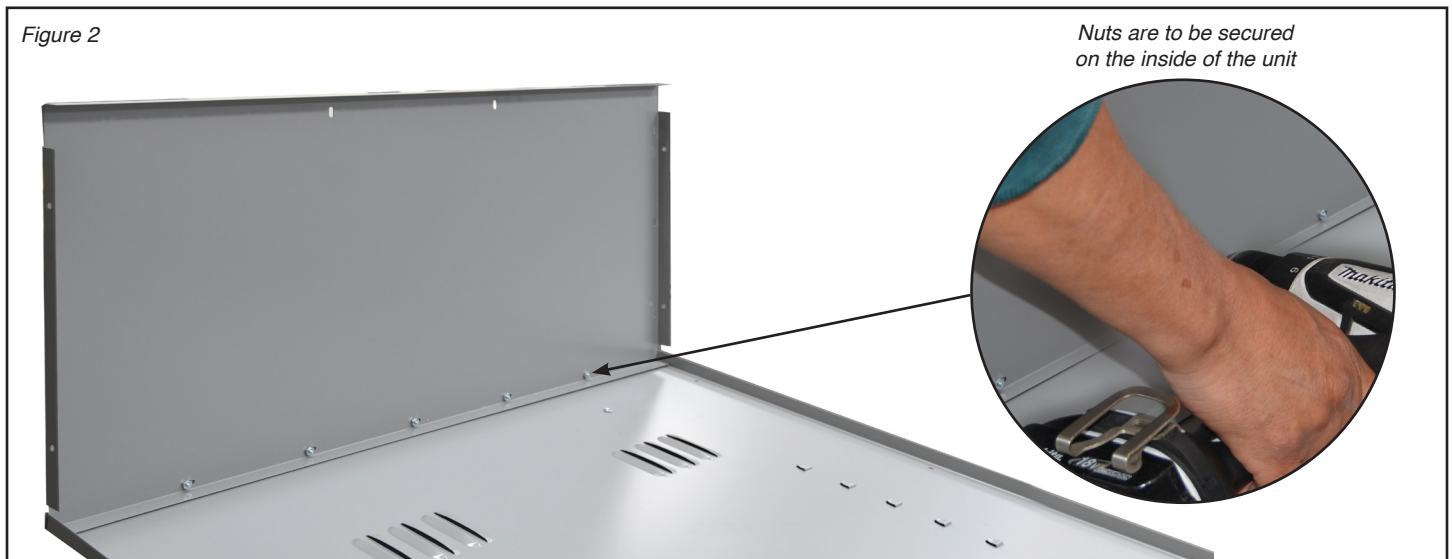
## STEP 1

Locate the back panel and lay it down on a flat surface with the flanges facing up. The end with five (5) holes along the edge is the top end. See Figure 1.



## STEP 2

Locate the top panel. The panel with five (5) holes along the edge is the top panel. Place the top panel on the inside of the back panel and align the holes. Attach top panel to back panel with screws and nuts (provided). Nuts are to be secured on the inside of the unit. See Figure 2.

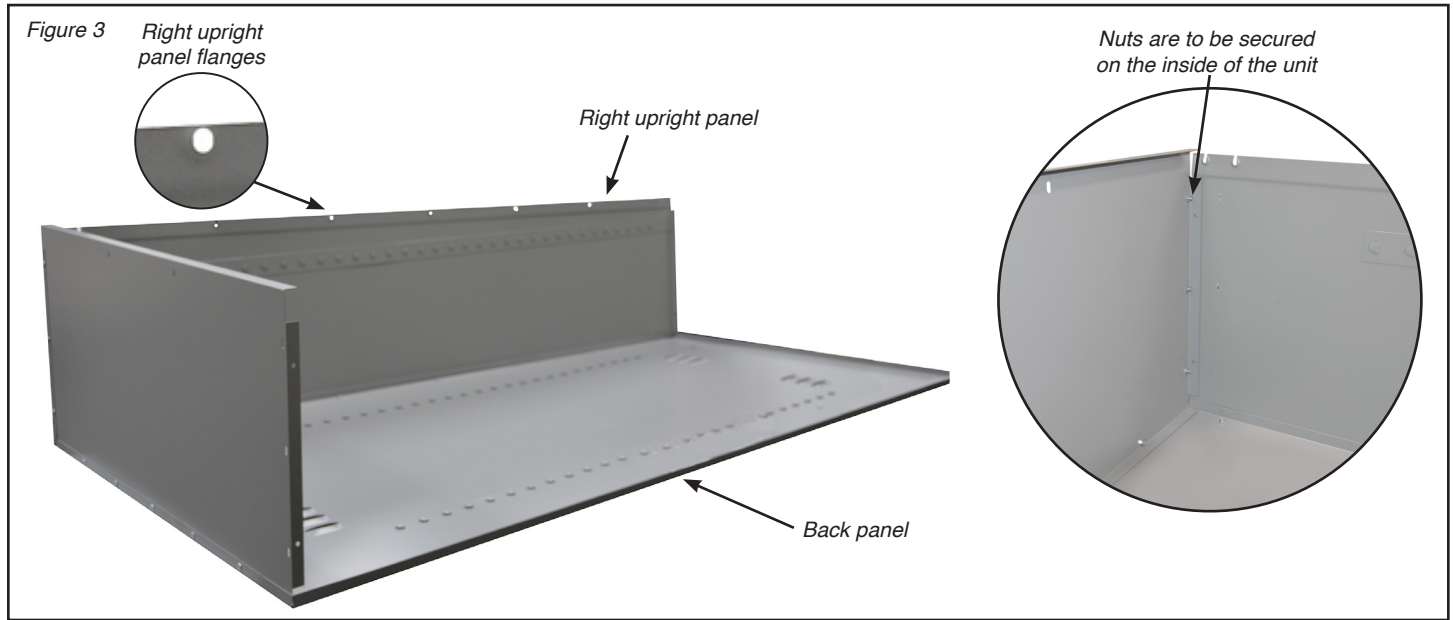


### SALSBURY INDUSTRIES

1010 East 62nd Street, Los Angeles, CA 90001-1598  
Phone: 1-800-562-5377 Int'l Phone: 323-846-6700 Fax: 1-800-562-5399 Int'l Fax: 323-846-6800  
[www.lockers.com](http://www.lockers.com) [engineering@lockers.com](mailto:engineering@lockers.com)

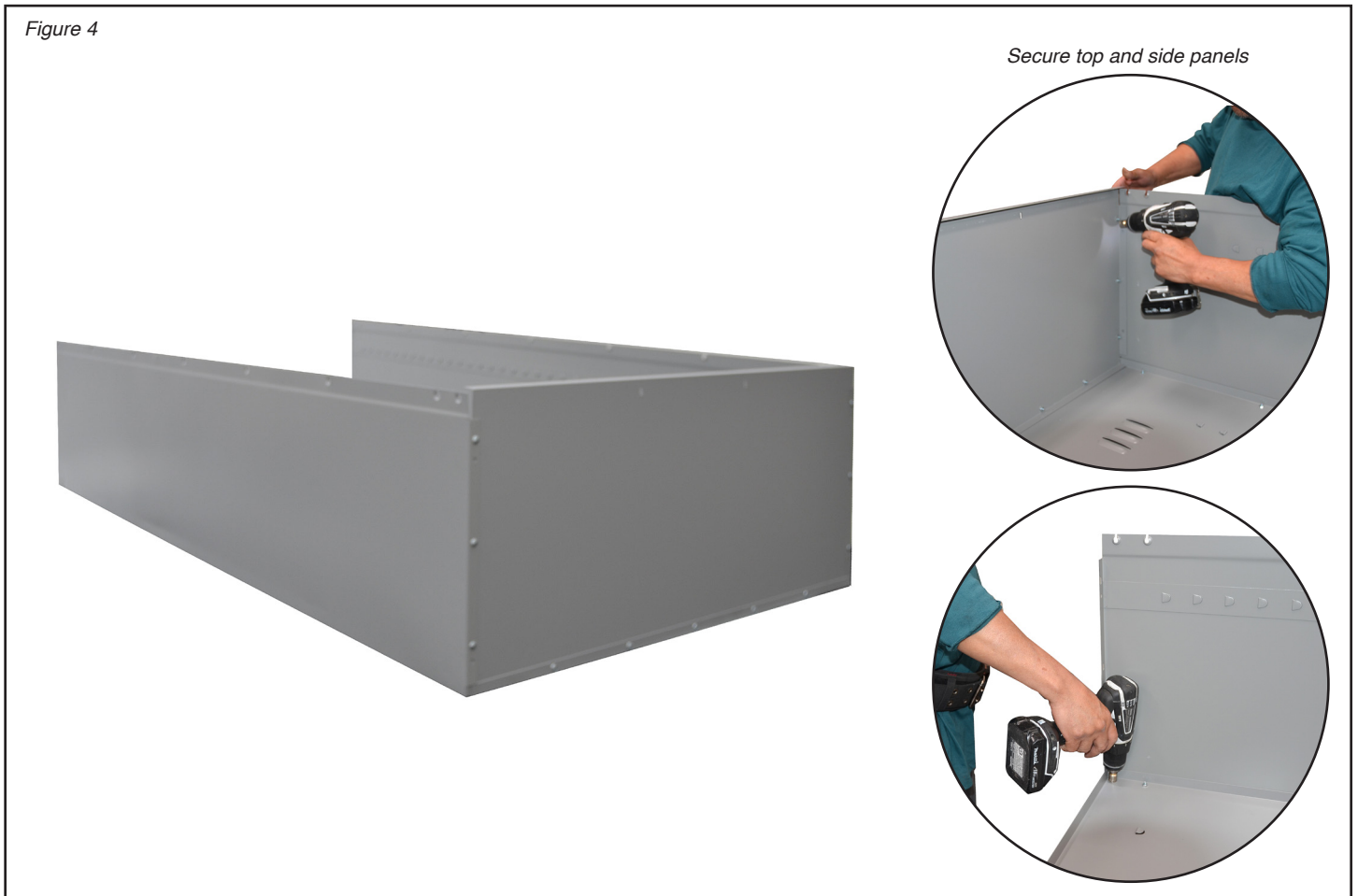
**STEP 3**

Place the right upright panel on the back panel, making sure that the right upright panel flanges are placed on the outside of the back and the top panels. Attach right upright panel to back panel and top panel with screws and nuts (provided). Nuts are to be secured on the inside of the unit. See Figure 3.



**STEP 4**

Locate the left upright panel and repeat step 3. See Figure 4.



**SALSBUURY INDUSTRIES**

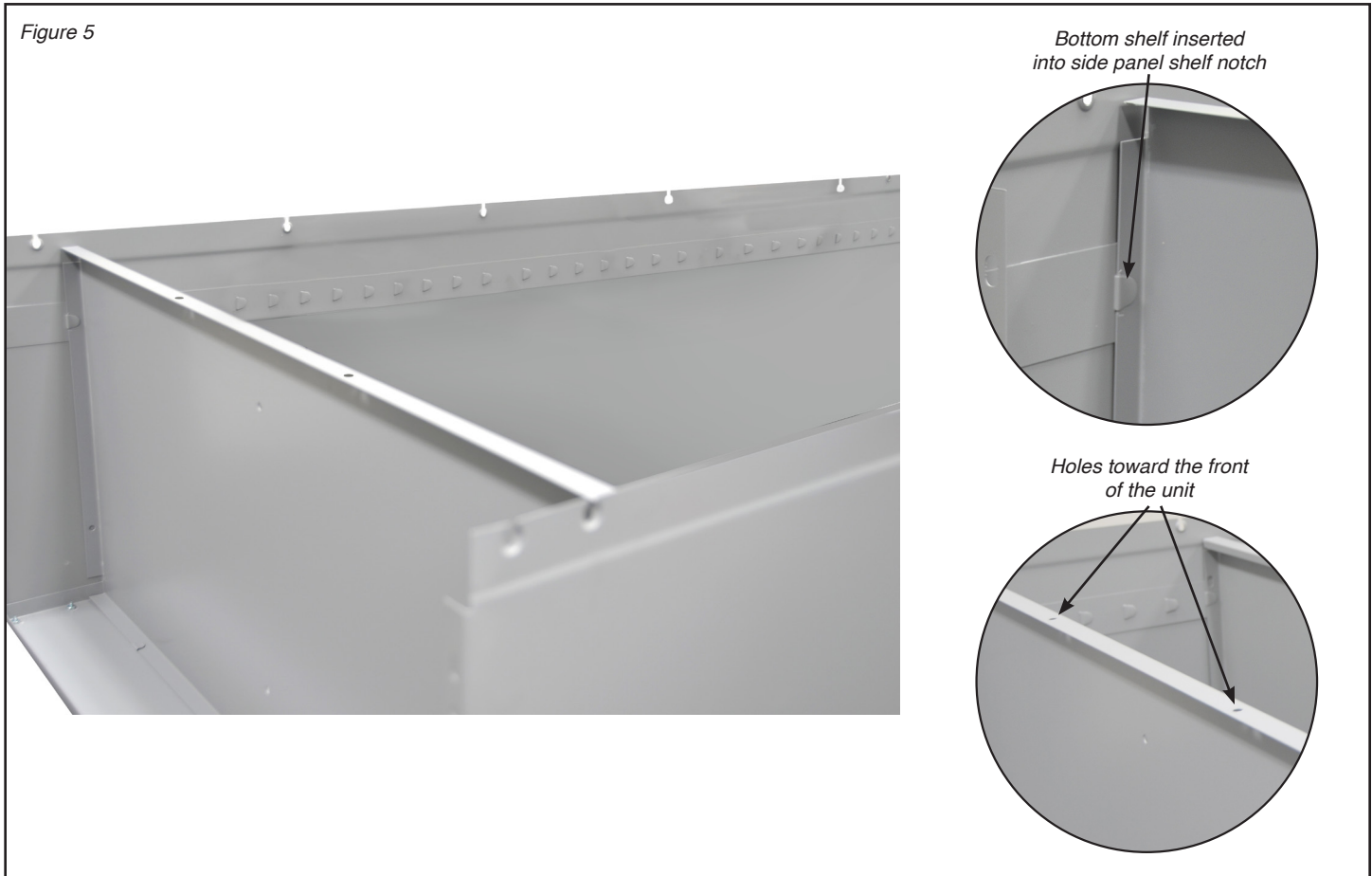
Phone: 1-800-562-5377

1010 East 62nd Street, Los Angeles, CA 90001-1598  
Int'l Phone: 323-846-6700 Fax: 1-800-562-5399  
[www.lockers.com](http://www.lockers.com) [engineering@lockers.com](mailto:engineering@lockers.com)

Int'l Fax: 323-846-6800

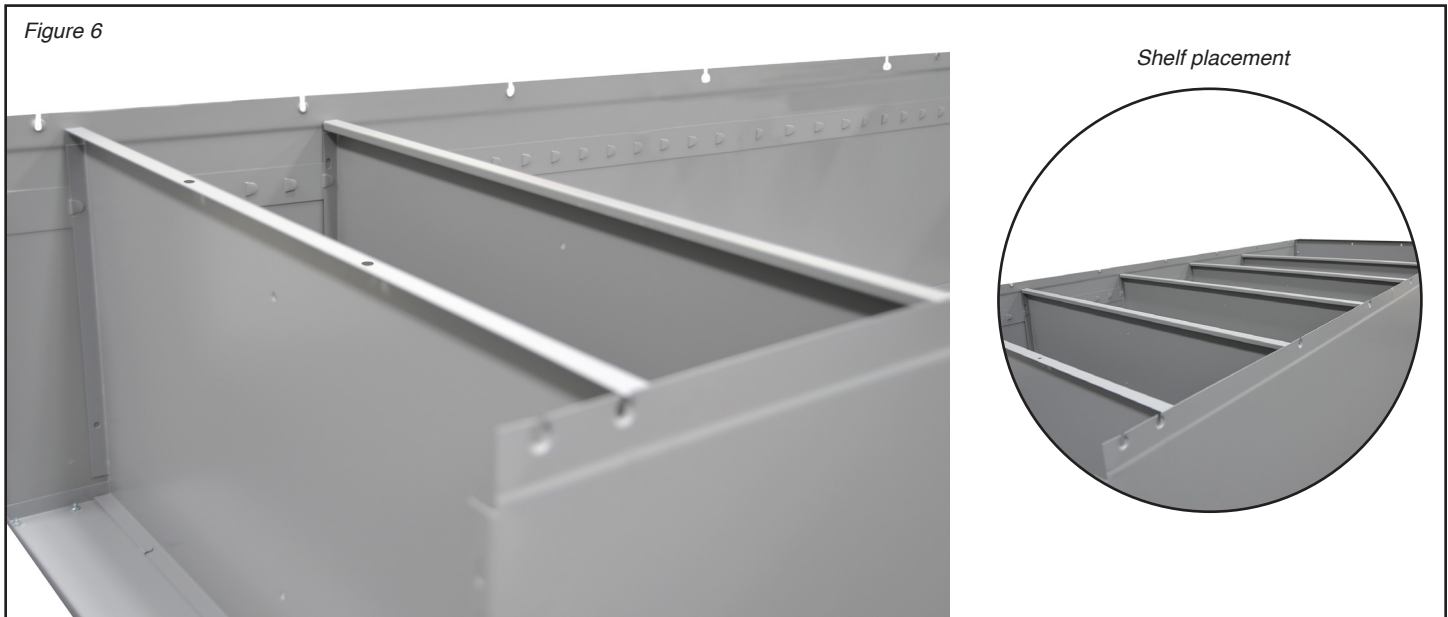
**STEP 5**

Locate the bottom panel. This component looks similar to the shelves however the bottom panel has two (2) holes located on the front flange. Insert the bottom panel flanges into the bottom shelf notches located on the back panel and both upright panels. Be sure that the bottom panel flange containing the holes is facing towards the front of the unit. See Figure 5.



**STEP 6**

Place the first shelf into the unit by inserting shelf panel flanges into the shelf notches located on the back panel and both upright panels. Repeat this process for the remaining three (3) shelves. See Figure 6.



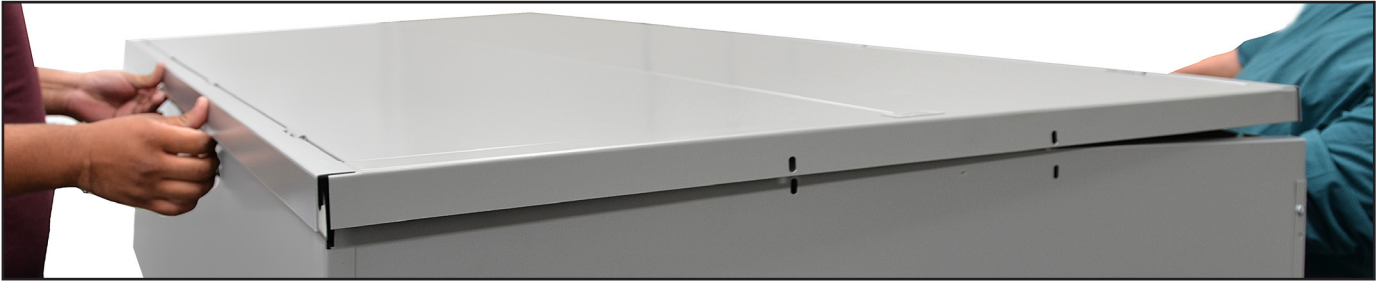
**SALSBURY INDUSTRIES**

1010 East 62nd Street, Los Angeles, CA 90001-1598  
Phone: 1-800-562-5377 Int'l Phone: 323-846-6700 Fax: 1-800-562-5399 Int'l Fax: 323-846-6800  
[www.lockers.com](http://www.lockers.com) [engineering@lockers.com](mailto:engineering@lockers.com)

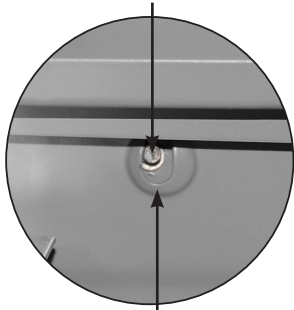
**STEP 7**

With the assistance of another person, lower one side of the door assembly onto the unit at a slight angle, making sure that the flanges of the top and upright panel are inserted on the inside of the door assembly. Simultaneously, align the screws located on the inside of the door assembly with the slotted holes located on the upright panel. Once aligned, lower the other side of the door assembly so that all door assembly inner screws are inserted into all upright panel slotted holes. See Figure 7.

Figure 7

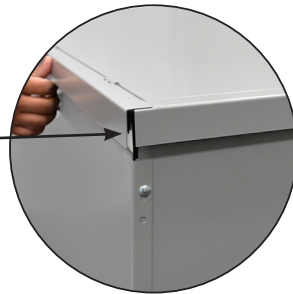


Screws on inner door assembly

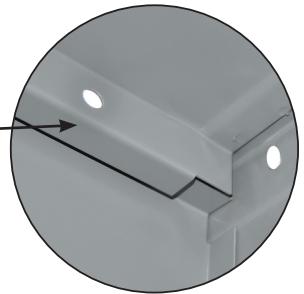


Slotted holes on side panels

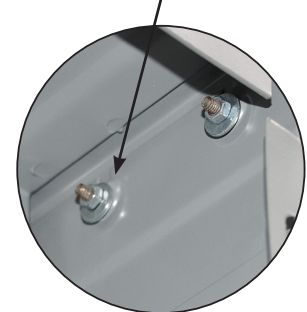
Flange placement  
(side and  
top panels)



Flange placement  
(bottom-underside  
of door assembly)

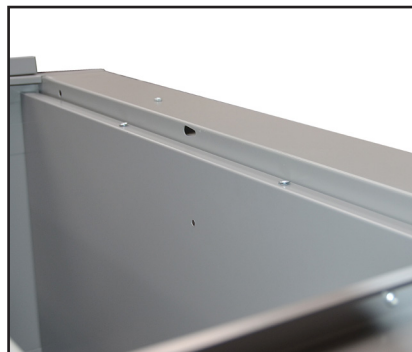


Use washers and smaller bolts for assembly

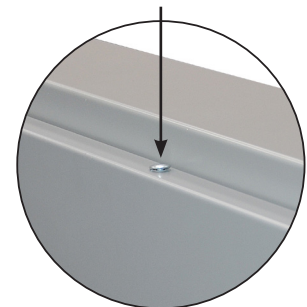


Make certain that the bottom panel front flange (the flange with two (2) holes) is in front of the bottom door assembly flange. Adjustment of the bottom panel may be required to achieve this. Secure door assembly to upright panels and top and bottom panels using screws, washers and nuts (provided). See Figure 8.

Figure 8



Use smooth top screws and  
larger bolts for assembly



**SALSBUURY INDUSTRIES**

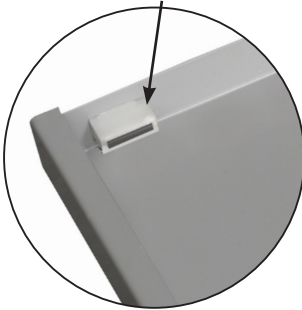
Phone: 1-800-562-5377      1010 East 62nd Street, Los Angeles, CA 90001-1598      Int'l Phone: 323-846-6700      Fax: 1-800-562-5399      Int'l Fax: 323-846-6800  
[www.lockers.com](http://www.lockers.com)      [engineering@lockers.com](mailto:engineering@lockers.com)

### STEP 8

Ensure that guides are fully inserted and locked in place. Mount handle on right door with two (2) screws and lockwashers. Insert lock bar guides into slots on top and bottom of right door. Place latch onto the door handle bolt. See Figure 9.

Figure 9

Insert lock bar guides on top and bottom of locking door



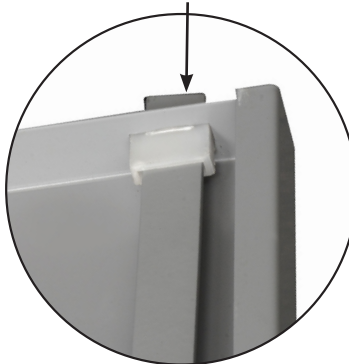
### STEP 9

Rotate latch to position shown below. Mount lock bars on latch as shown below. Do not fasten latch to handle yet. Rotate handle to open (unlatched position or horizontal) position. Insert lock bars into plastic guides while aligning square hole in latch with square threaded shoulder on handle. Install lock nut on threaded shank of handle. Check that handle, latch, and lock bars operate smoothly and effectively. See Figure 9.

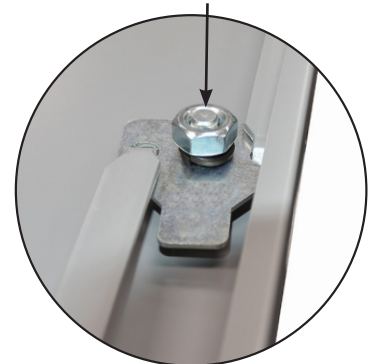
Figure 10



Insert lock bars through guides on top and bottom of door



Install lock nut to secure locking mechanism



### STEP 10

Insure that the doors open and close freely and that the shelves are secure and level.

This completes the assembly of your storage cabinet.



#### SALSBURY INDUSTRIES

1010 East 62nd Street, Los Angeles, CA 90001-1598  
Phone: 1-800-562-5377 Int'l Phone: 323-846-6700 Fax: 1-800-562-5399 Int'l Fax: 323-846-6800  
[www.lockers.com](http://www.lockers.com) [engineering@lockers.com](mailto:engineering@lockers.com)