



## ADA Standard for Accessible Design

Salsbury Industries is the leading manufacturer of high-quality ADA accessible lockers. The Americans with Disabilities Act (ADA) mandates specific requirements for metal lockers. To adhere to ADA standards, a minimum of 5% of the lockers provided must meet ADA requirements, with at least one locker meeting these standards. Customers have the option to order lockers that are ADA compliant or modify existing lockers by adding shelves to ensure they meet ADA regulations.

### ADA Lockers Must Meet the Following Guidelines:

- Doors must open without twisting or clasp motion
- Locker shelf or hooks cannot exceed 48" from the finished floor
- Locker bottom must be at least 15" from the finished floor (additional shelf can create a false bottom)
- Locker shelves are adjustable, and extra shelves can be purchased separately if needed

### ADA Handle Requirements

Salsbury Industries provides standard recessed hasps with a lift up handle and steel hasps that can be easily opened with a closed fist. Both handle types can work with either a built-in lock or a user-provided lock. ADA compliant lock options are available upon request.

#### Recessed Hasp

Standard on our single tier, double tier and triple tier lockers. Each locker compartment includes a lift up handle and recessed hasp for added security and can accommodate a variety of locking mechanisms.



*Recessed hasp*



*Recessed hasp with ADA compliant built-in lock*

#### Steel Hasp

Standard on our four tier, five tier and six tier box style lockers. Each locker compartment includes a steel hasp assembly and can accommodate a variety of locking mechanisms.



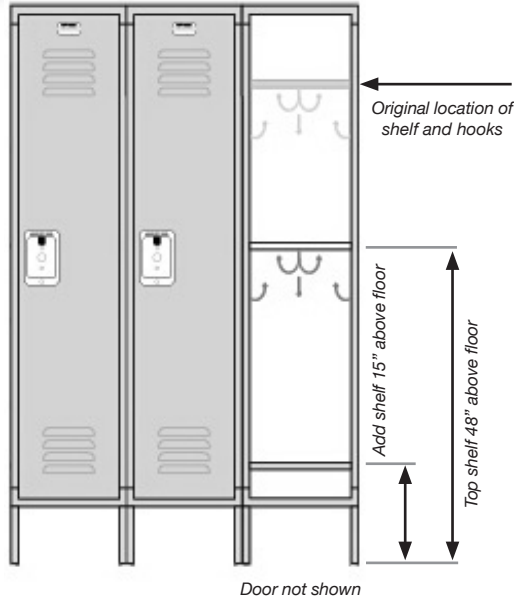
*Steel hasp*



*Steel hasp with ADA compliant built-in lock*

## Shelf Height Requirements

Lockers can be ordered to be ADA compliant, or existing lockers can be modified by adding and relocating shelves to meet ADA forward and side reach requirements. Additional shelves are available as optional add-ons upon request. It's important to note that only recessed hasps and steel hasps meet the ADA specifications.

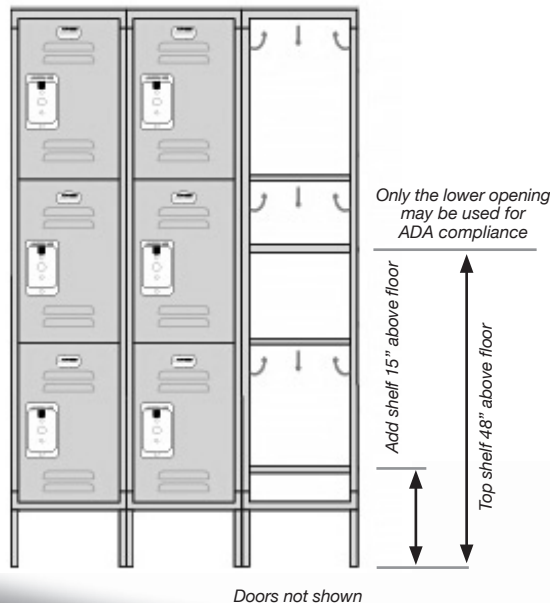
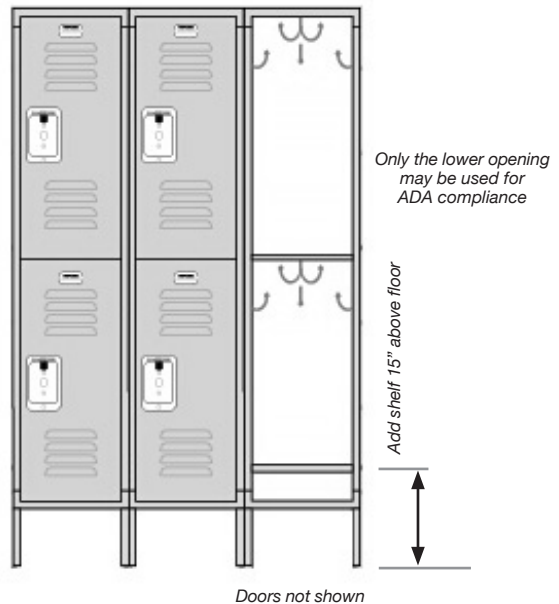


### Single Tier Locker

For single tier lockers, the shelf and coat hooks must be positioned no higher than 48" above the finished floor. To ensure compliance, an additional shelf must be included to maintain the locker bottom at a minimum of 15" above the finished floor.

### Double Tier Locker

For double tier lockers, an additional shelf must be installed to ensure the locker bottom is no lower than 15" above the finished floor. ADA compliance is only applicable to the lower opening of the locker.



### Triple Tier Locker

For triple tier lockers, an additional shelf needs to be included to position the top of the middle locker at 48" above the finished floor. Another shelf is required at the bottom of the lower locker to maintain a minimum height of 15" above the finished floor. ADA compliance is applicable only to the middle and bottom lockers.



## Accessible Seating

ADA Accessible benches are required in dressing rooms, fitting rooms and locker rooms, and seating areas in saunas and steam rooms. Benches must have a clear floor space positioned to allow people using wheelchairs or other mobility devices to approach parallel to the short end of a bench seat. Where these types of rooms are provided in clusters, at least 5% of the rooms provided, but no less than one room in each cluster must comply.

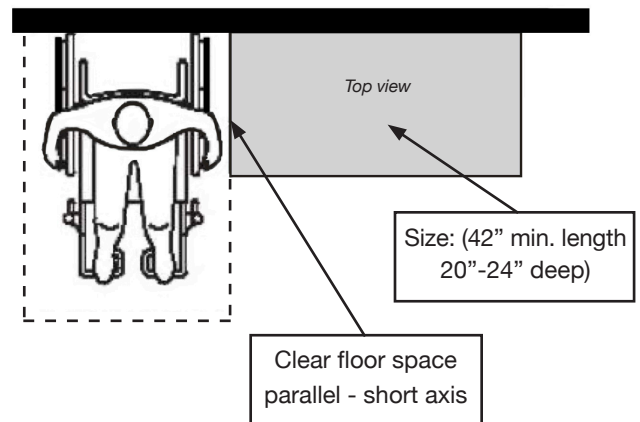
The technical criteria for benches are found in Section 903 of the 2010 ADA Standards for Accessible Design.

The bench requirements in the 2010 Standards for accessible dressing, fitting, or locker rooms are applicable to new construction and alterations made after March 15, 2012. These standards specifically apply to elements or spaces that undergo alterations.



### In addition, benches shall include the following:

Benches must have seats that are a minimum of 20 inches to a maximum of 24 inches in depth and 42 inches minimum in length. The seat height should be a minimum of 17 inches to a maximum of 19 inches above the finished floor. If the bench is not located next to a wall, the bench must have back support that is 42 inches minimum in length and extends from a point 2 inches maximum above the seat to a point 18 inches minimum above the bench. Benches must be strong enough to withstand a vertical or horizontal force of 250 pounds applied at any point on the seat, fastener, mounting device or supporting structure. The provisions for benches are not intended to apply to park benches or other benches used for sitting or resting.



**Contact us for more ADA product specifications.**