

COUNTRY CLUB and CLUBHOUSE LOCKERS

Salsbury Industries offers a complete line of quality lockers designed specifically for country clubs and clubhouses. Our country clubs and clubhouse lockers help keep your members and guests' belongings safe and secure. Constructed of premium quality materials, Salsbury lockers are available in various styles, sizes, colors and configurations. These lockers can be ordered by phone or online at www.lockers.com.



People Committed to Quality Since 1936®

COUNTRY CLUB and CLUBHOUSE LOCKERS

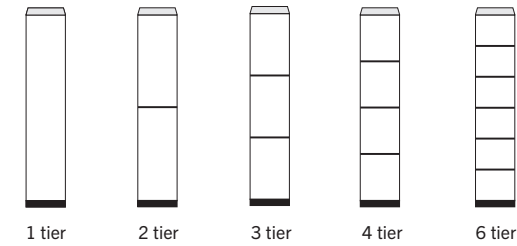
Premier Wood Series - 12" Wide



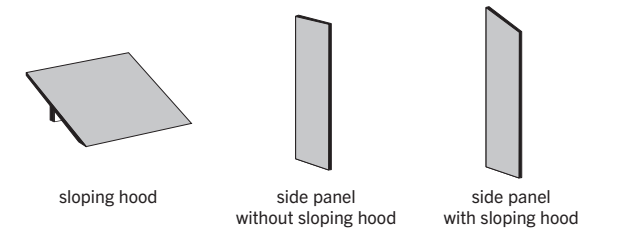
PREMIER WOOD LOCKERS - 12" WIDE

- Constructed of industrial grade particleboard and premium laminate on both side doors.
- Ideal for country clubs and clubhouses, health clubs, spas and salons, sports and athletic facilities or wherever a professional environment is desired.
- Matching edge banding on doors and front frames with decorative interior finish.
- All locker doors include heavy duty soft close European hinges and decorative number plates.

CONFIGURATIONS



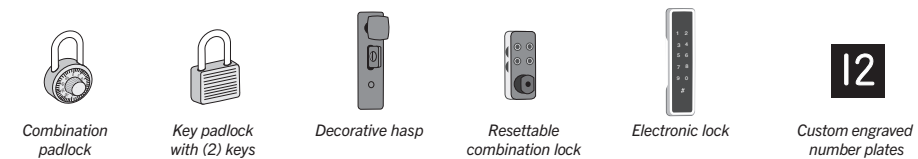
TOP AND SIDE OPTIONS



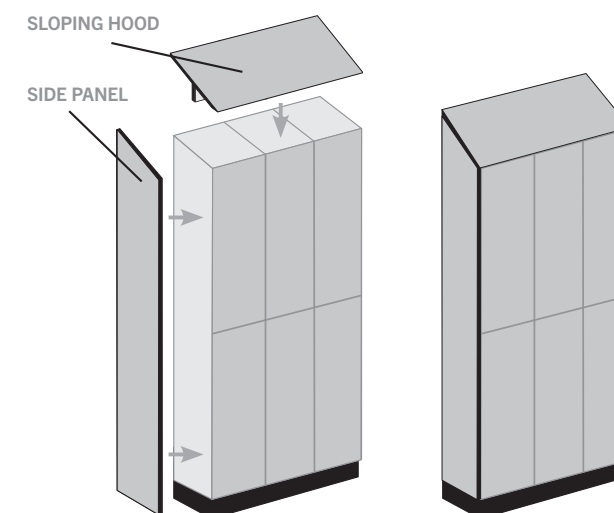
COLOR OPTIONS



LOCK OPTIONS / NUMBER PLATES

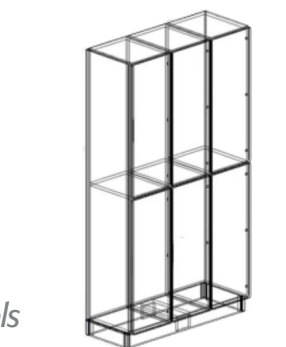


DISPLAYED WITH OPTIONAL SIDE PANEL AND SLOPING HOOD



Online Resources

- *Product Information*
- *3D Revit / BIM Models*
- *Detailed Specifications*
- *Technical Drawings*
- *Augmented Reality (AR) Models*
- *Installation Instructions*
- *AutoCAD Drawings*



Visit: www.lockers.com/Architectural-Resources

PREMIER WOOD LOCKERS

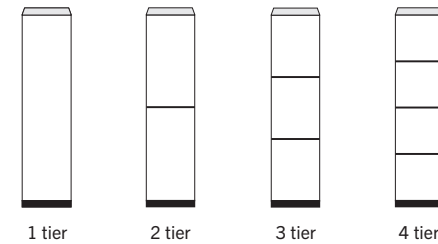
Premier Wood Series - 15" Wide



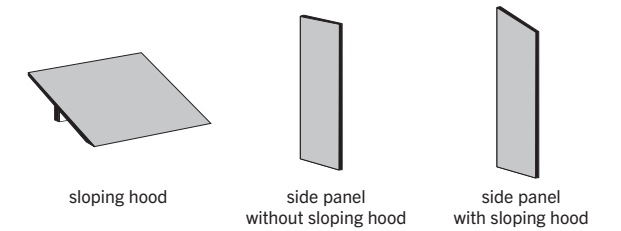
PREMIER WOOD LOCKERS - 15" WIDE

- Constructed of industrial grade particleboard and premium laminate on both side doors.
- Ideal for country clubs and clubhouses, health clubs, spas and salons, sports and athletic facilities or wherever a professional environment is desired.
- 25% wider than 12" wide designer lockers (locker doors are 15" wide x 3/4" deep).
- Matching edge banding on doors and front frames with decorative interior finish.
- All locker doors include heavy duty soft close European hinges and decorative number plates.

CONFIGURATIONS



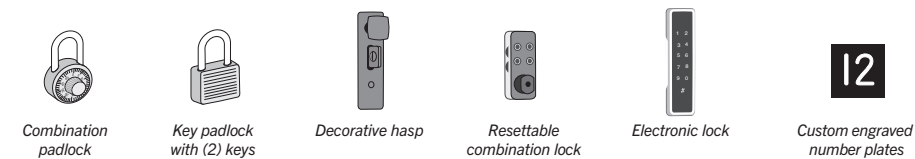
TOP AND SIDE OPTIONS



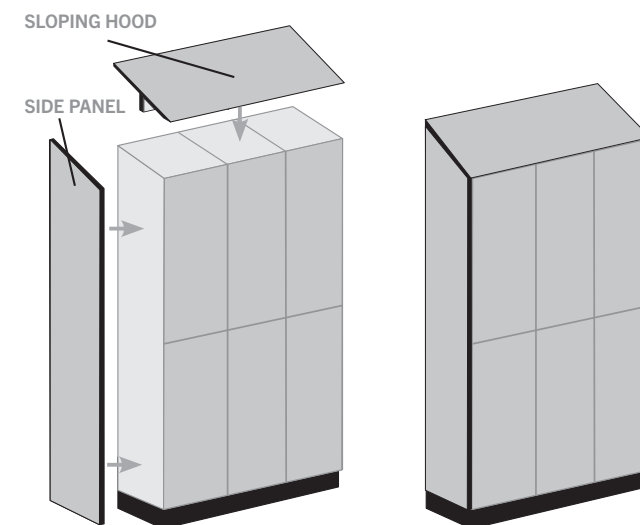
COLOR OPTIONS



LOCK OPTIONS / NUMBER PLATES



DISPLAYED WITH OPTIONAL SIDE PANEL AND SLOPING HOOD



Online Resources

- Product Information
- 3D Revit / BIM Models
- Detailed Specifications
- Technical Drawings
- Augmented Reality (AR) Models
- Installation Instructions
- AutoCAD Drawings



Visit: www.lockers.com/Architectural-Resources

COUNTRY CLUB and CLUBHOUSE LOCKERS

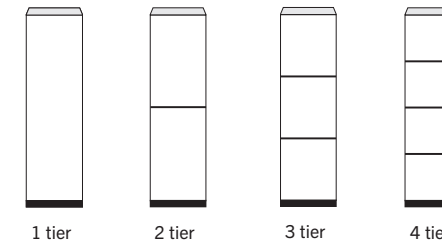
Premier Wood Series - 18" Wide



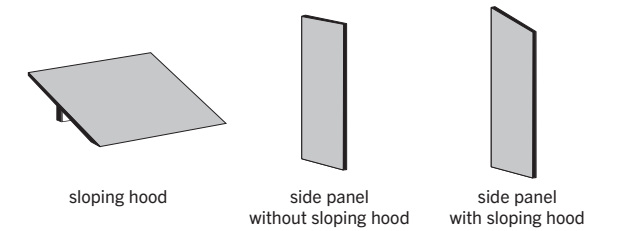
PREMIER WOOD LOCKERS - 18" WIDE

- Constructed of industrial grade particleboard and premium laminate on both side doors.
- Ideal for country clubs and clubhouses, health clubs, spas and salons, sports and athletic facilities or wherever a professional environment is desired.
- 50% wider than 12" wide designer lockers (locker doors are 18" wide x 3/4" deep).
- Matching edge banding on doors and front frames with decorative interior finish.
- All locker doors include heavy duty soft close European hinges and decorative number plates.

CONFIGURATIONS



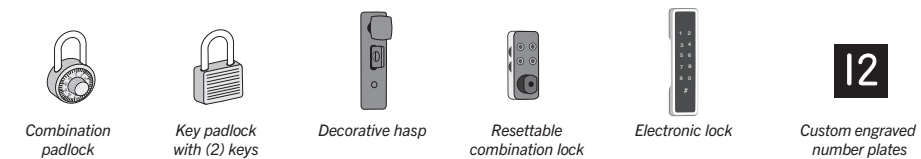
TOP AND SIDE OPTIONS



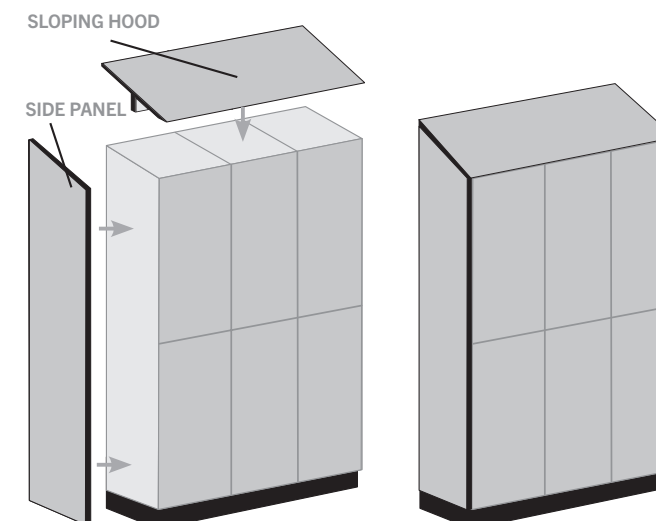
COLOR OPTIONS



LOCK OPTIONS / NUMBER PLATES



DISPLAYED WITH OPTIONAL SIDE PANEL AND SLOPING HOOD



Online Resources

- Product Information
- 3D Revit / BIM Models
- Detailed Specifications
- Technical Drawings
- Augmented Reality (AR) Models
- Installation Instructions
- AutoCAD Drawings



Visit: www.lockers.com/Architectural-Resources

COUNTRY CLUB and CLUBHOUSE LOCKERS

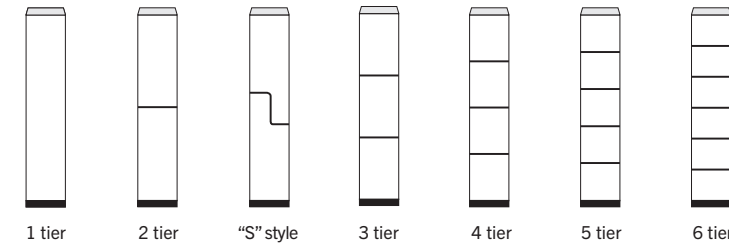
Designer Wood Series - 12" Wide



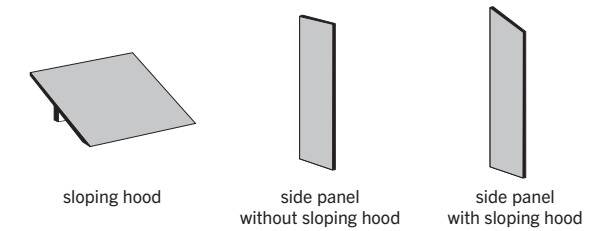
DESIGNER WOOD LOCKERS - 12" WIDE

- Constructed of industrial grade particleboard and covered with durable high pressure laminate.
- Ideal for country clubs and clubhouses, health clubs, spas and salons, sports and athletic facilities or wherever a professional environment is desired.
- 1 wide units come fully assembled while 3 wide units require minor assembly.
- All locker doors include heavy duty concealed hinges and a lift up handle and recessed hasp for added security.

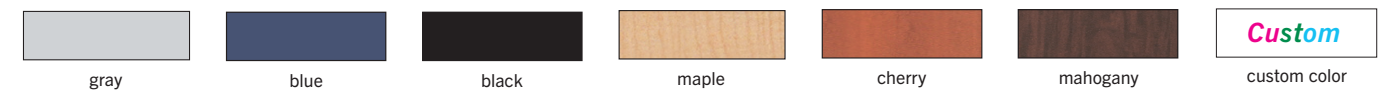
CONFIGURATIONS



TOP AND SIDE OPTIONS

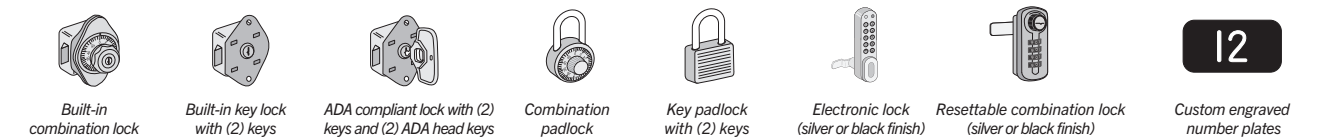


COLOR OPTIONS

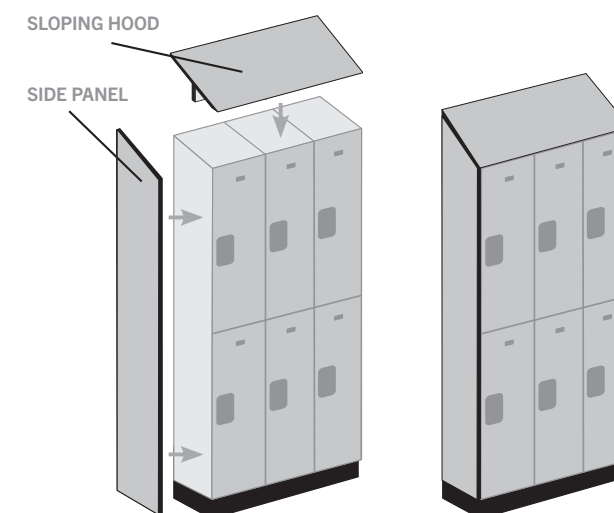


Custom colors - 25% upcharge (minimum fifteen (15) frames) To view all colors visit: www.lockers.com/customdesignerlockers

LOCK OPTIONS / NUMBER PLATES



DISPLAYED WITH OPTIONAL SIDE PANEL AND SLOPING HOOD



Online Resources

- Product Information
- 3D Revit / BIM Models
- Detailed Specifications
- Technical Drawings
- Augmented Reality (AR) Models
- Installation Instructions
- AutoCAD Drawings



Visit: www.lockers.com/Architectural-Resources

COUNTRY CLUB and CLUBHOUSE LOCKERS

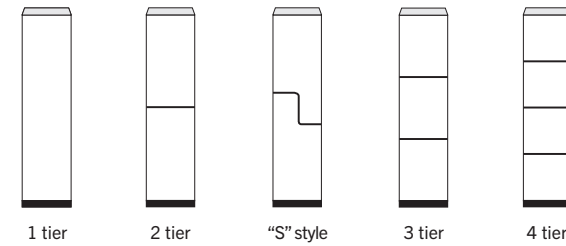
Designer Wood Series - 15" Wide



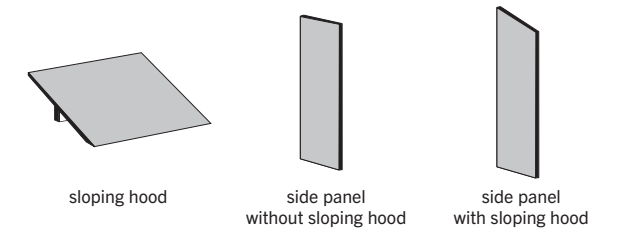
DESIGNER WOOD LOCKERS - 15" WIDE

- Constructed of industrial grade particleboard and covered with durable high pressure laminate.
- Ideal for country clubs and clubhouses, health clubs, spas and salons, sports and athletic facilities or wherever a professional environment is desired.
- 25% wider than 12" wide designer lockers (locker doors are 15" wide x 3/4" deep).
- All locker doors include heavy duty concealed hinges and a lift up handle and recessed hasp for added security.

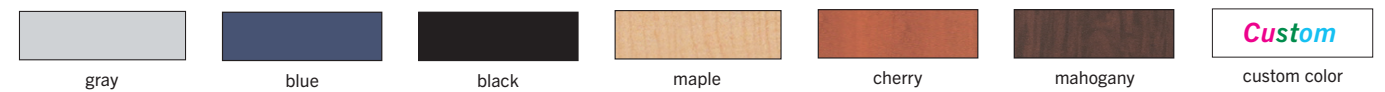
CONFIGURATIONS



TOP AND SIDE OPTIONS

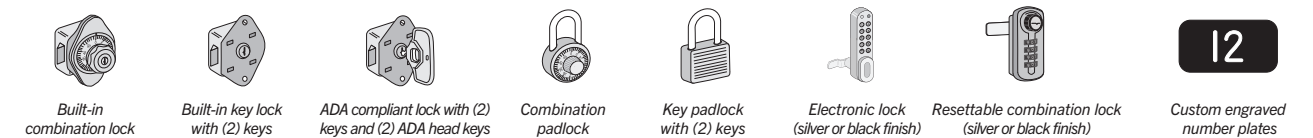


COLOR OPTIONS

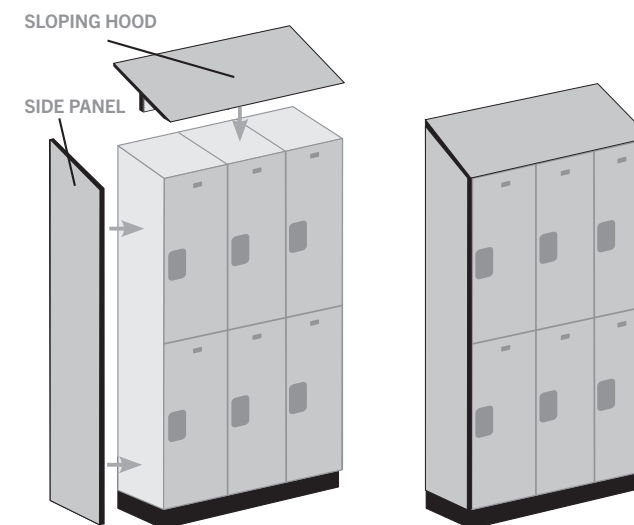


Custom colors - 25% upcharge (minimum fifteen (15) frames) To view all colors visit: www.lockers.com/customdesignerlockers

LOCK OPTIONS / NUMBER PLATES

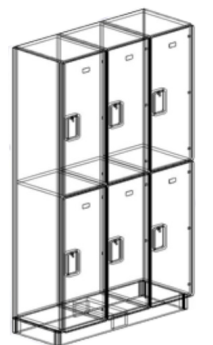


DISPLAYED WITH OPTIONAL SIDE PANEL AND SLOPING HOOD



Online Resources

- Product Information
- 3D Revit / BIM Models
- Detailed Specifications
- Technical Drawings
- Augmented Reality (AR) Models
- Installation Instructions
- AutoCAD Drawings



Visit: www.lockers.com/Architectural-Resources

COUNTRY CLUB and CLUBHOUSE LOCKERS

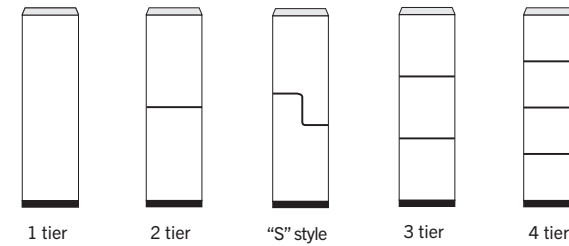
Designer Wood Series - 18" Wide



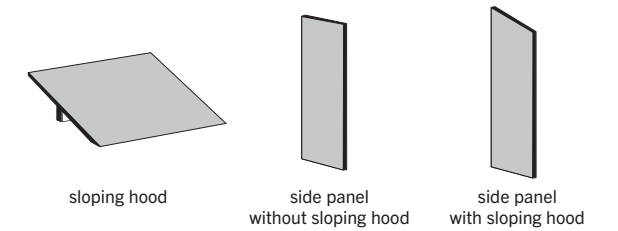
DESIGNER WOOD LOCKERS - 18" WIDE

- Constructed of industrial grade particleboard and covered with durable high pressure laminate.
- Ideal for country clubs and clubhouses, health clubs, spas and salons, sports and athletic facilities or wherever a professional environment is desired.
- 50% wider than 12" wide designer lockers (locker doors are 18" wide x 3/4" deep).
- All locker doors include heavy duty concealed hinges and a lift up handle and recessed hasp for added security.

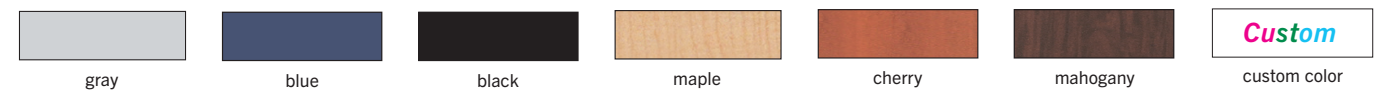
CONFIGURATIONS



TOP AND SIDE OPTIONS

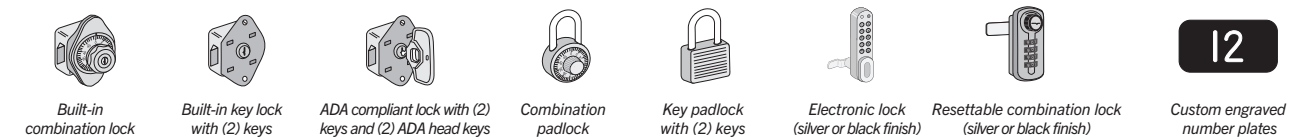


COLOR OPTIONS

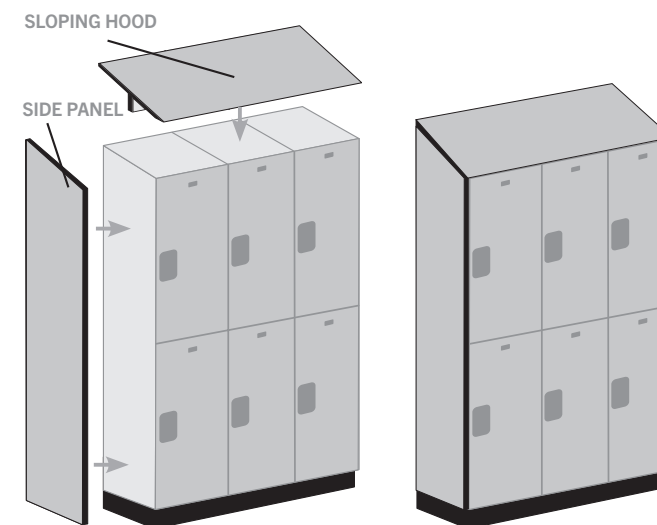


Custom colors - 25% upcharge (minimum fifteen (15) frames) To view all colors visit: www.lockers.com/customdesignerlockers

LOCK OPTIONS / NUMBER PLATES



DISPLAYED WITH OPTIONAL SIDE PANEL AND SLOPING HOOD



Online Resources

- Product Information
- 3D Revit / BIM Models
- Detailed Specifications
- Technical Drawings
- Augmented Reality (AR) Models
- Installation Instructions
- AutoCAD Drawings



Visit: www.lockers.com/Architectural-Resources

COUNTRY CLUB and CLUBHOUSE LOCKERS

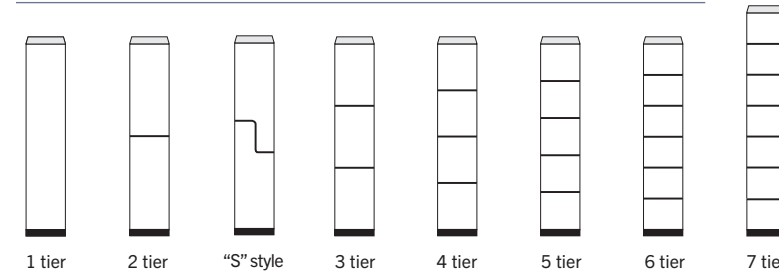
Custom Designer Series



CUSTOM DESIGNER LOCKERS

- Constructed of industrial grade particleboard and covered with durable high pressure laminate.
- Ideal for country clubs and clubhouses, health clubs, spas and salons, sports and athletic facilities or wherever a professional environment is desired.
- Custom designer lockers are available in six (6) standard designer colors (gray, blue, black, maple, cherry and mahogany) or a wide variety of custom colors.
- Minimum order of fifteen (15) frames.

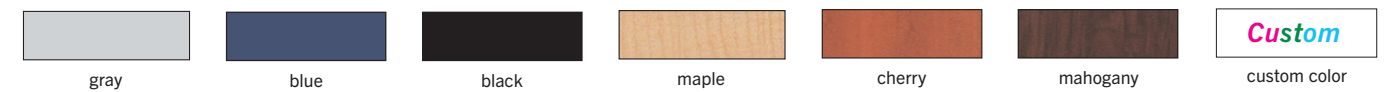
CONFIGURATIONS



HEIGHT / WIDTH / DEPTH

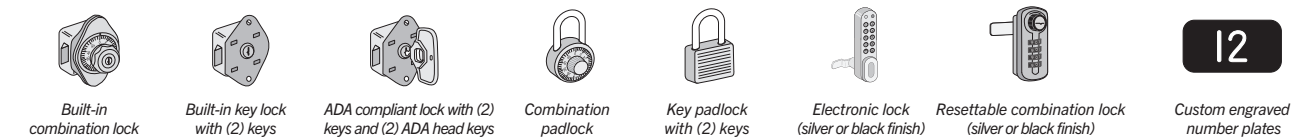
36"	48"	60"	72"	84"
height				
12"	15"	18"	21"	24"
width				
12"	15"	18"	21"	24"
depth				

COLOR OPTIONS



Custom colors - 25% upcharge (minimum fifteen (15) frames) To view all colors visit: www.lockers.com/customdesignerlockers

LOCK OPTIONS / NUMBER PLATES



Custom Designer Lockers in 5 Easy Steps

- 1) Specify # of Tiers
- 2) Specify Height, Width and Depth
- 3) Specify Color
- 4) Specify Options
- 5) Submit for Price Quotation

Email: customlockers@lockers.com

Phone: 1.800.562.5377

Fax: 1.800.562.5399

www.lockers.com/customdesignerlockers

Online Resources

- Product Information
- 3D Revit / BIM Models
- Detailed Specifications
- Technical Drawings
- Augmented Reality (AR) Models
- Installation Instructions
- AutoCAD Drawings



Visit: www.lockers.com/Architectural-Resources

MANUFACTURING SINCE 1936

The Industry Leader in Quality Lockers



ORDER FACTORY DIRECT

Large Inventory and Fast Shipping



SALSBURY INDUSTRIES

**Contact us to learn more about
Salsbury Country Clubs and
Clubhouse Lockers!**

**Discounts Available!
Contact Us
for a Quote Today!**



People Committed to Quality Since 1936®

Salsbury Industries
18300 Central Avenue
Carson CA 90746-4008

phone: 1.800.562.5377

fax: 1.800.562.5399

phone: 1.323.846.6700

fax: 1.323.846.6800

email: salsbury@lockers.com

website: www.lockers.com

